



Fig.7



Fig.8

Connect cables to the 9 inch radio and position the tilting housing so that the holes result concentrics to the holes of lower frame. **-Fig.7-**

Fix the two parts (lower frame + 9inch radio tilting housing) using n.2 caps **(F)** supplied into this kit. **-Fig.8-**

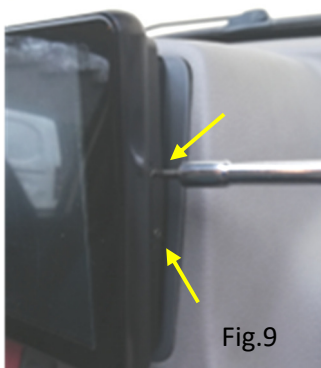


Fig.9

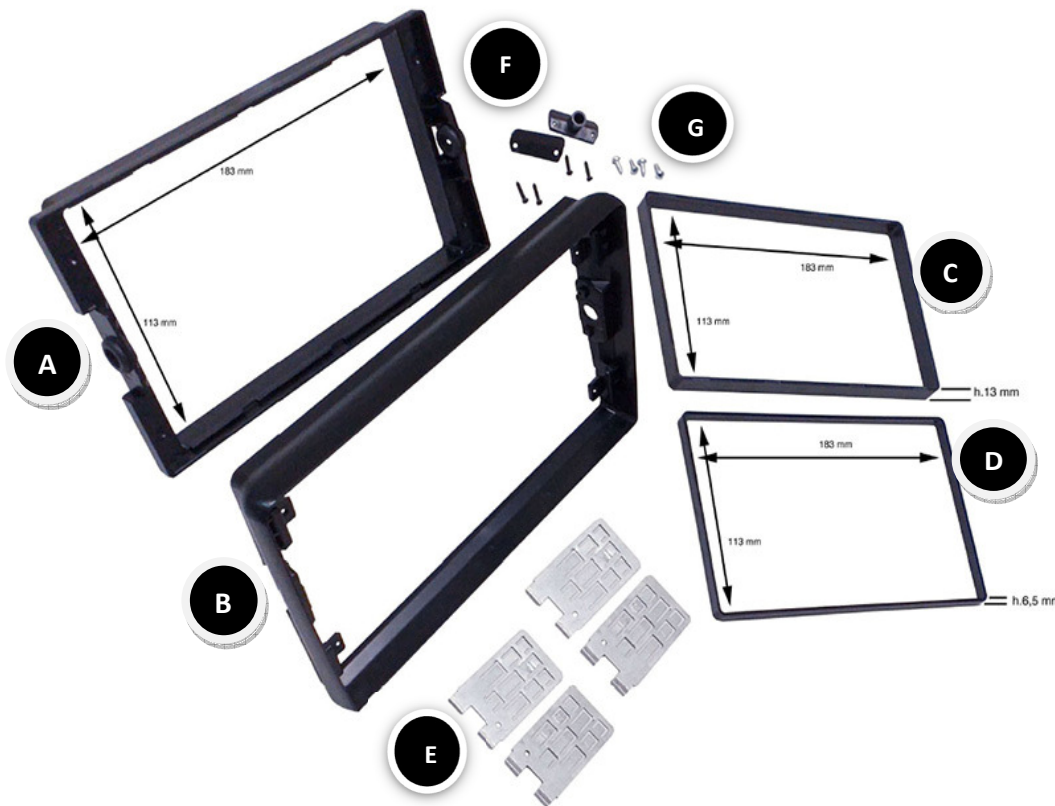
Using the black screws supplied into the kit, definitively fix radio and kit on your car **-Fig.9-**



FINAL RESULT

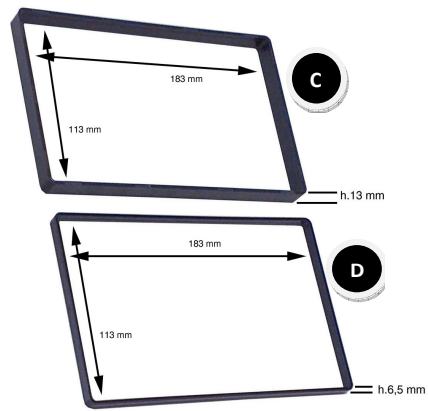
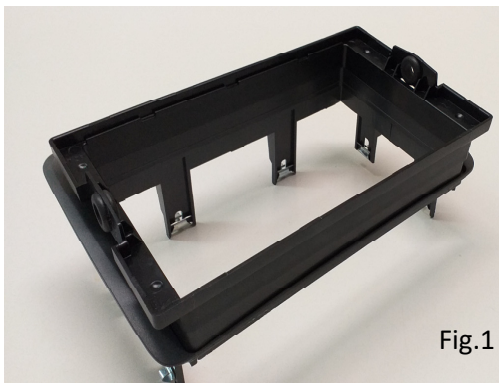
N.B.: car shown on this manual is purely indicative. This kit is suitable to all radio frame with 2ISO hole and dimensions 183x113 mm.

2ISO TILTING KIT FOR 9 INCH RADIO MOUNTING INSTRUCTIONS



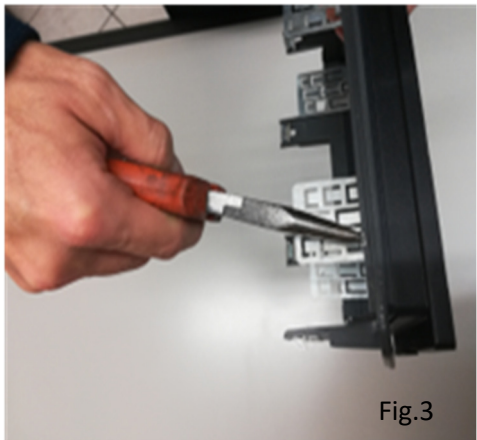
Legend:

- A → Lower Frame (internal dimensions: 183x113 mm)
- B → 9 Inch radio housing
- C → Spacer trim (dimensions: 183x113x h.13 mm)
- D → Spacer trim (dimensions: 183x113x h.6,5 mm)
- E → Metal brackets
- F → Fixing caps
- G → Screws



Install the LOWER FRAME (A) into 2ISO radio compartment and use one or both spacer trims (C e D) supplied into the kit if necessary -Fig.1-.

The lower frame must be installed on the facia plate take care that result completely external to the edge of radio frame .

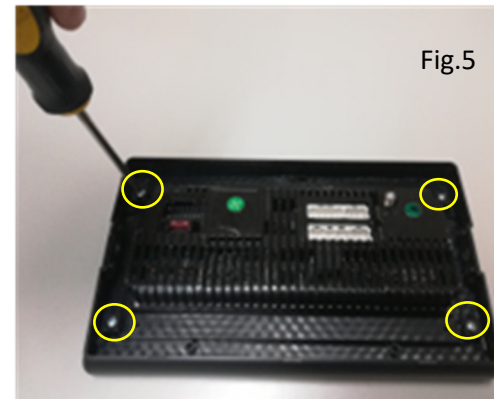


After mounting the lower frame on the radio frame in the exact position and height, install n.4 metal brackets (possibly in the corners) (E) supplied into the kit and lock them to the outside edge of radio frame .

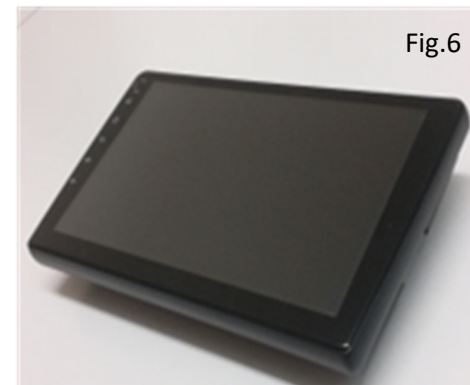
Use a screwdriver to bend the tongues - Fig.2- and lock them using a pliers-Fig.3-.



Install on your vehicle the facia plate including the lower frame previously mounting. -Fig.4-



Screw the radio on the 9 inch radio housing (B) using the n.4 silver screws supplied into this kit (G). -Fig.5-



This is how 9 inch radio will look on the tilting housing frame Fig.6-