



02787



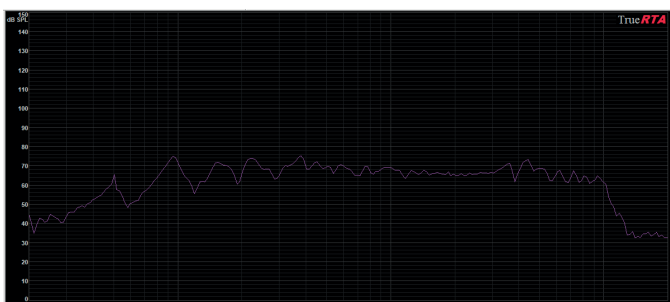
MID-WOOFER
240 W Ø 200 mm



**DYNAMIC MID-WOOFER
FOR HI-FI SYSTEMS
AT HIGH SOUND PRESSURE.**

- INTENSE AND ENVELOPING BASS FOR A TOP-NOTCH LISTENING EXPERIENCE.
- HIGH EFFICIENCY LINEAR FREQUENCY RESPONSE.
- HARMONIC DISTORTIONS AT THE LOWEST LEVELS.
- EXCEPTIONAL ON SPL SYSTEMS.

RESPONSE CURVE

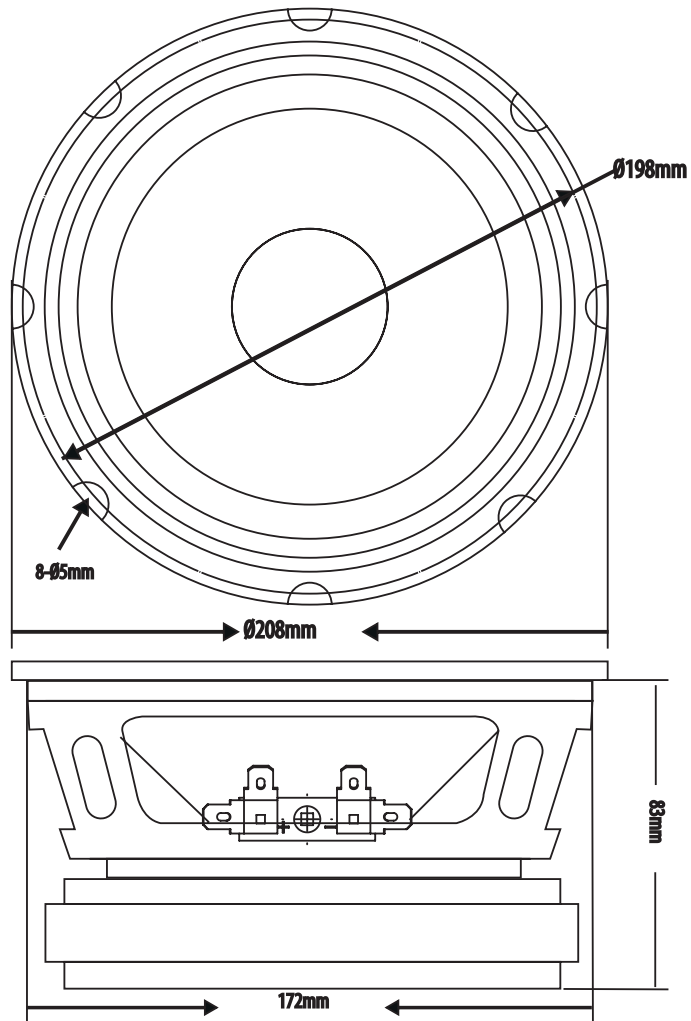


MATERIALS AND TECHNOLOGY

- Exponential curvature treated cellulose diaphragm.
- Triple-wave suspension in cotton fiber.
- Coil 45.

MID-WOOFER 02787 TECHNICAL FEATURES

Peak Power 240 W.
 RMS Power 120 W.
 Frequency response 150÷10.000 Hz.
 Fs 80,360 Hz.
 SPL 1W/1m 91,3 dB.
 Qms 4,528.
 Qes 0,718.
 Qts 0,620.
 Vas 12,044.
 Re 3 Ohm.
 Cms 181,081 μ M/N.
 Mms 21,661 gr.
 BL 6,760 TM.
 SD 21,642 MM.



PACKAGE

box 1 pc.



Technical data sheet updated 12/04/2023

ATTENTION All images are included for illustrative purposes only. Phonocar S.p.A. reserves the right to make changes to the products even without notice. Any changes to the products are to be considered improvements and do not affect their functionality. All mentioned trademarks and reproduced logos belong to their legitimate owners and have been indicated for information purposes only.