

RL-MZ72

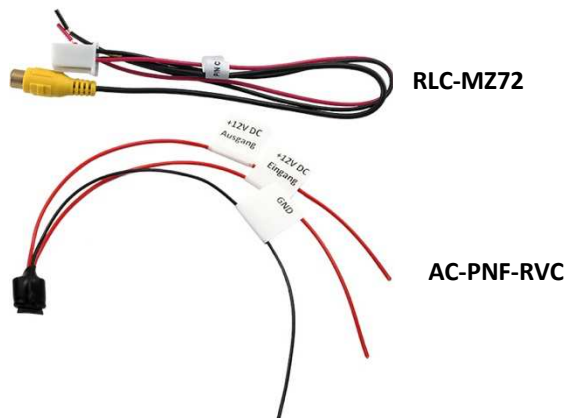
Rear-view camera input adapter compatible with Mazda vehicles with 5.8" touchscreen

Delivery contents

Take down the SW-version and HW-version of the interface boxes, and store this manual for support purposes.

HW _____

SW _____



Legal Information

Changes/updates of the vehicle's software can cause malfunctions of the interface. We offer free software-updates for our interfaces for one year after purchase. To receive a free update, the interface must be sent in at own cost. Labor cost for and other expenses involved with the software-updates will not be refunded.

Check compatibility of vehicle and accessories

Requirements

Vehicle Mazda vehicles 2013 - UP

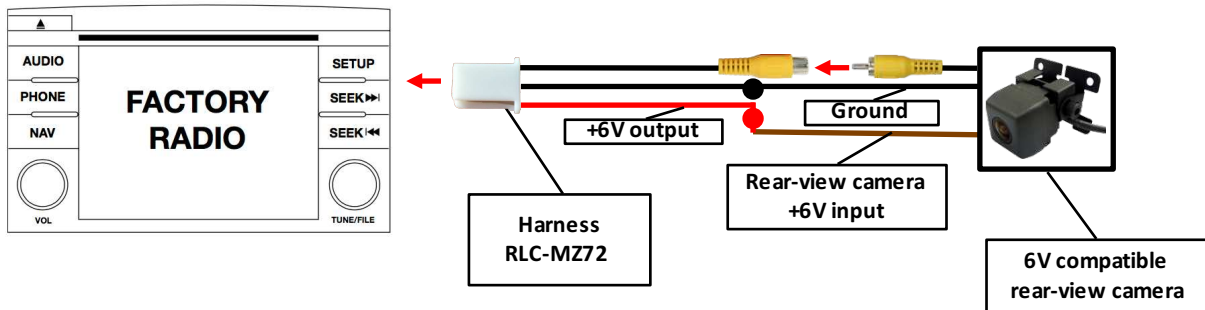
Navigation 5.8 Inch touchscreen monitors



Limitations

After-market rear-view camera Only compatible with NTSC-cameras.

Installation only with 6V compatible NTSC rear-view cameras

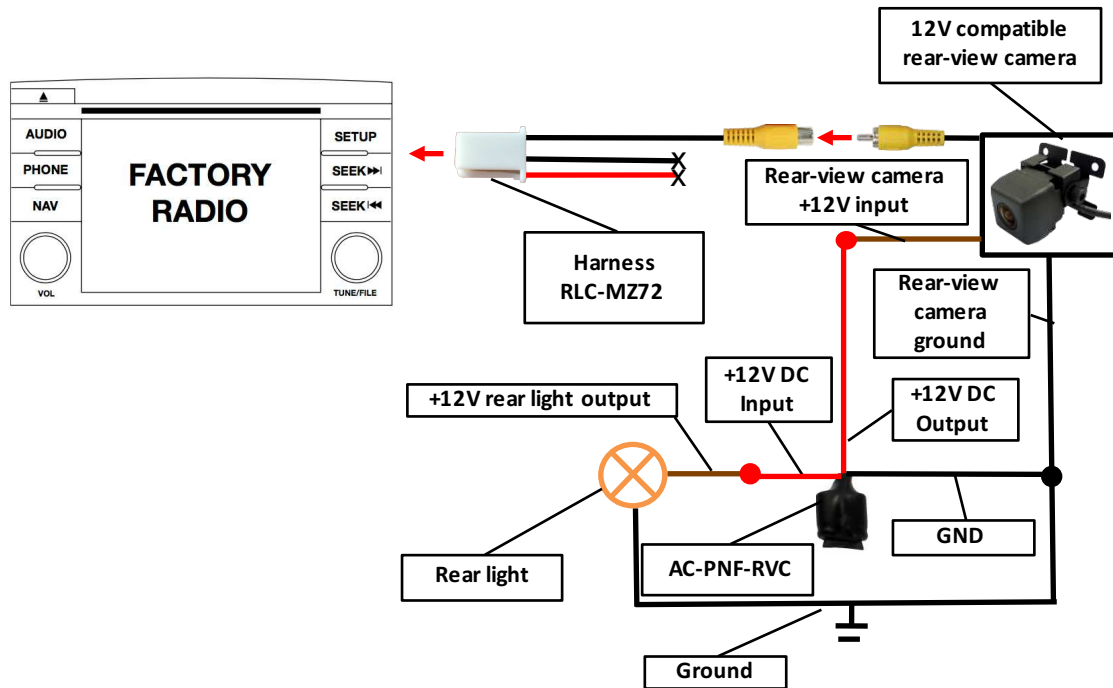


1. Remove the factory radio to gain access to the factory connectors.
2. Connect the video RCA of the rear-view camera to the female RCA connector of the RLC-MZ72 harness.
3. Connect the open black wire from RLC-MZ72 harness to the rear-view camera ground.
4. Connect the open red wire from RLC-MZ72 harness to the rear-view camera power input (only for 6V compatible rear-view cameras).

Notes:

- The rear-view camera function of the head unit can be used directly after this installation
- The AC-PNF-RVC is not required in this installation

Installation only with 12V NTSC rear-view cameras



1. Remove the factory radio to gain access to the factory connectors.
2. Connect the video RCA of the rear-view camera to the female RCA connector of the RLC-MZ72 harness.
3. Connect the open black wire with "GND" label from AC-PNF-RVC adapter to ground.
4. Connect the rear-view camera with ground.
5. Connect the open red wire from AC-PNF-RVC adapter with label "+12 DC Input" to +12V rear light power.
6. Connect the open red wire from AC-PNF-RVC adapter with label "+12 DC Output" to +12V rear-view camera input.

Notes:

- The rear-view camera function of the head unit can be used directly after this installation
- The loose red and black cables on RLC-MZ72 harness are not required and must be isolated.

Technical Support

CAS GmbH
Manufacturer / Distributor
In den Fuchslöchern 3
D-67240 Bobenheim-Roxheim

Email: support@casgermany.com

Legal disclaimer: Mentioned company and trademarks, as well as product names/codes are registered trademarks ® of their corresponding legal owners.

